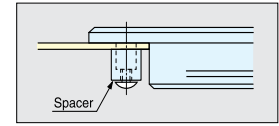
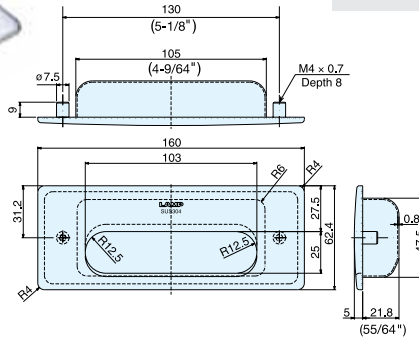


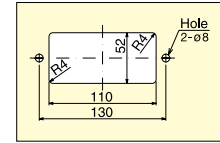
RECESSED PULL



HH-KL160



(Optional : BSP-8)
Sheet metal mounting application



Cut Out Dimensions

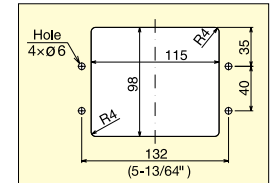
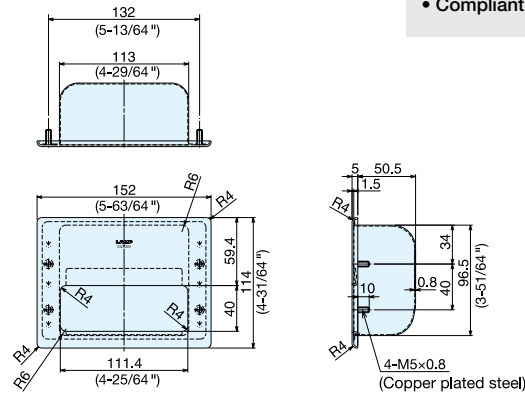
- Ideal for harsh and high corrosive environments.
- Compliant with SEMI S8-0600 guideline.
- Spacer for sheet metal application sold separately.

Item No.	Weight (g)	Box (pcs)	Carton (pcs)	Material	Finish
HH-KL160	260	8	48	304 Stainless Steel	Satin

RECESSED PULL



HH-KP150



Cut Out Dimensions

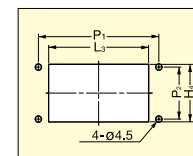
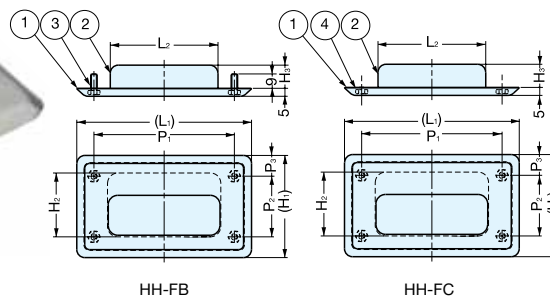
- Compliant with SEMI S8-0600 guideline.

Item No.	Weight (g)	Box (pcs)	Carton (pcs)	Material	Finish
HH-KP150	390	5	50	304 Stainless Steel	Satin

RECESSED PULL



HH-FB, HH-FC



Cut Out Dimensions

No.	Part Name	Material	Finish
①	Front Plate	304 Stainless Steel	Mirror (M) Satin (S)
②	Back Cover		
③	M4 Stud		
④	M4 Nut		

Item No.	Stud/Nut	(L ₁)	L ₂	L ₃	(H ₁)	H ₂	H ₃	H ₄	P ₁	P ₂	(P ₃)	Weight (g)	
HH-FB-1/M	HH-FB-1/S	M4 Stud	138	96	99	88	62	21	64	110	65	11.5	170
HH-FC-1/M	HH-FC-1/S	M4 Nut											
HH-FB-2/M	HH-FB-2/S	M4 Stud	109.5	67.5	73	64	40	14.5	42	88	38	13	100
HH-FC-2/M	HH-FC-2/S	M4 Nut											
HH-FB-3/M	HH-FB-3/S	M4 Stud	94	61	63	60	43	12	45	76	32	14.5	80
HH-FC-3/M	HH-FC-3/S	M4 Nut											